

Technical detail

Main pipe	20 * 2.0mm
Wall thickness	2.0 mm
Brace solid	6.0 mm
Material	6082-T6

Straight truss

(Any colors are available)



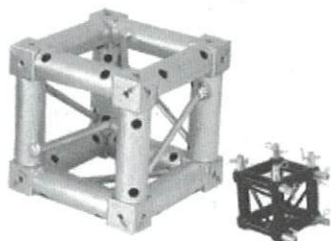
Code	Diameter	Part/Set
D14050	50cm	1.0kg
D14100	100cm	2.0kg
D14150	150cm	3.0kg
D14200	200cm	4.0kg
D14250	250cm	5.0kg
D14300	300cm	6.0kg

Curve truss

(Any colors are available)



Code	Diameter	Part/Set
D14R10-90	2.0m	2Part/Set
D14R15-90	3.0m	4Part/Set
D14R20-45	4.0m	4Part/Set



Code: D14 BOX Corner
L100 W100 H100(mm)
(Any colors are available)



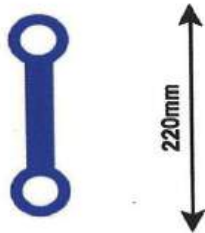
Code: D14 Book corner
L100 W100 H100(mm)
(Any colors are available)



Code: D14 BASE PLATE
L100XW100XT5mm
(Any colors are available)

D 22

Deco Truss



Technical detail

Main pipe	35 mm
Wall thickness	2.0 mm
Brace	8.0 mm
Material	6082-T6

Straight truss

(Any colors are available)



Code	Length	Weight
D22050	50cm	1.15kg
D22100	100cm	1.65kg
D22150	150cm	2.15kg
D22200	200cm	2.85kg
D22250	250cm	3.35kg
D22300	300cm	3.95kg

Curve truss

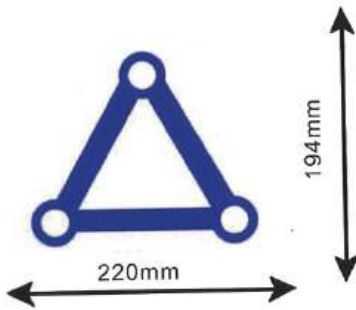
(Any colors are available)



Code	Diameter	Part/Set
D22R05-180	1.0m	2Part/Set
D22R10-90	2.0m	4Part/Set
D22R15-90	3.0m	4Part/Set
D22R20-90	4.0m	4Part/Set
D22R25-90	5.0m	4Part/Set
D22R30-60	6.0m	6Part/Set
D22R35-60	7.0m	6Part/Set
D22R40-60	8.0m	6Part/Set
D22R45-60	9.0m	6Part/Set
D22R50-30	10.0m	12Part/Set

D 23

Deco Truss



Technical detail

Main pipe	35 mm
Wall thickness	20 mm
Brace	8.0 mm
Material	6082-T6

Straight truss

(Any colors are available)



Code	Length	Weight
D23050	50cm	1.9kg
D23100	100cm	3.2kg
D23150	150cm	4.4kg
D23200	200cm	5.7kg
D23250	250cm	7.2kg
D32300	300cm	8.2kg

Curve truss

(Any colors are available)



Code	Diameter	Part/Set
D23R05-180	1.0m	2Part/Set
D23R10-90	2.0m	4Part/Set
D23R15-90	3.0m	4Part/Set
D23R20-90	4.0m	4Part/Set
D23R25-90	5.0m	4Part/Set
D23R30-60	6.0m	6Part/Set
D23R35-60	7.0m	6Part/Set
D23R40-60	8.0m	6Part/Set
D23R45-60	9.0m	6Part/Set
D23R50-30	10.0m	12Part/Set
D23R50-45	10.0m	8Part/Set

Corner Truss



CODE: D23-4W-C33
4WAY C33
L500 W500 H500(mm)



CODE: D23-4W-C34
4WAY C33
L500 W500 H500(mm)



CODE: D23-3W-T35
3WAY T35
L500 W500 H220(mm)



CODE: D23-3W-T36
3WAY T36
L500 W500 H194(mm)



CODE: D23-3W-T37
3WAY T37
L500 W500 H220(mm)



CODE: D23-3W-T38
3WAY T38
L500 W500 H220(mm)



CODE: D23-3W-T39
3WAY T39
L500 W500 H220(mm)



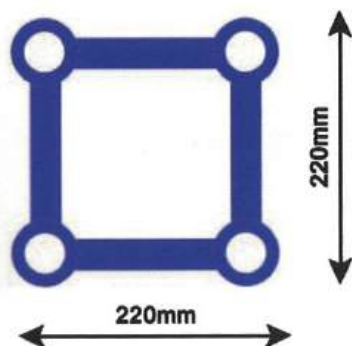
CODE: D23-4W-T41
4WAY T41
L500 W500 H194(mm)



CODE: D23-4W-T41
4WAY T41
L500 W500 H500(mm)

D24

Deco Truss



Technical detail

Main pipe	35 mm
Wall thickness	2.0 mm
Brace	8.0 mm
Material	6082-T6

Straight truss

(Any colors are available)



Code	Length	Weight
D24050	50cm	1.8kg
D24100	100cm	3.2kg
D24150	150cm	4.5kg
D24200	200cm	5.8kg
D24250	250cm	7.1kg
D24300	300cm	8.5kg
D24350	350cm	9.8kg
D24400	400cm	11.1kg
D24450	450cm	12.4kg
D24500	500cm	13.7kg

Curve truss

(Any colors are available)



Code	Diameter	Part/Set
D24R05-180	1.0m	2Part/Set
D24R10-90	2.0m	4Part/Set
D24R15-90	3.0m	4Part/Set
D24R20-90	4.0m	4Part/Set
D24R25-90	5.0m	4Part/Set
D24R30-60	6.0m	6Part/Set
D24R35-60	7.0m	6Part/Set
D24R40-60	8.0m	6Part/Set
D24R45-60	9.0m	6Part/Set
D24R50-30	10.0m	12Part/Set



ALUSTRUCTURE

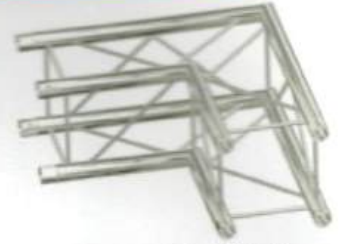
Corner Truss



CODE: D24-2W-45
2WAY 45 degree



CODE: D24-2W-60
2WAY 60 degree



CODE: D24-2W-90
2WAY 90 degree



CODE: D24-2W-120
2WAY 120 degree
L500 W500 H220(mm)



CODE: D24-2W-135
2WAY 135 degree
L500 W500 H220(mm)



CODE: D24-3W-90
3WAY 90 degree
L500 W500 H500(mm)



CODE: D24-3W-T
3WAY T CORNER
L500 W500 H220(mm)



CODE: D24-4W-T
4WAY T CORNER
L500 W500 H500(mm)



CODE: D24-4W-CROSS
4WAY CROSS
L500 W500 H220(mm)



CODE: D24-5W-T
5WAY T CORNER
L500 W500 H500(mm)



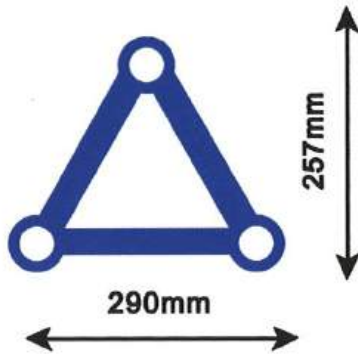
CODE: D24-BOX
BOX CORNER
L220 W220 H220(mm)



CODE: D24-BASE
BASE PLATE
L240 W240 H050(mm)

M 33

Medium Truss



Technical detail

Main pipe	50 mm
Wall thickness	2 mm
Brace	20*2mm
Material	6082-T6

Straight truss

(Any colors are available)



Code	Length	Weight
M33050	50cm	3.5kg
M33100	100cm	5.8kg
M33150	150cm	7.5kg
M33200	200cm	9.3kg
M33250	250cm	11.0kg
M33300	300cm	12.7kg
M33350	350cm	14.5kg
M33400	400cm	16.2kg
M33450	450cm	17.0kg
M33500	500cm	18.3kg

Curve truss

(Any colors are available)



Code	Diameter	Part/Set
M33R10-90	2.0m	2Part/Set
M33R15-90	3.0m	4Part/Set
M33R20-90	4.0m	4Part/Set
M33R25-45	5.0m	8Part/Set
M33R30-45	6.0m	8Part/Set
M33R35-45	7.0m	8Part/Set
M33R40-45	8.0m	8Part/Set
M33R45-45	9.0m	8Part/Set
M33R50-30	10.0m	12Part/Set

Corner Truss



CODE:M33-4W-T43
4WAY T43
L290 W500 H500(mm)



CODE:M33-4W-C44
4WAY C44
L500 W500 H500(mm)



CODE:M33-4W-C45
4WAY C45
L500 W500 H500(mm)



CODE:M33-4W-T46
4WAY T46
L500 W500 H500(mm)



CODE:M33-5W-C51
5WAY C51
L500 W500 H500(mm)



CODE:M33-5W-C52
5WAY C52
L500 W500 H500(mm)



CODE:M33-5W-C53
5WAY C53
L500 W500 H500(mm)



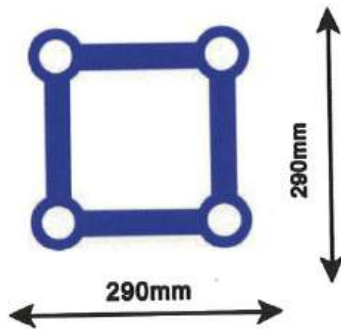
CODE:M33-6W
6WAY 90 degree
L500 W500 H500(mm)



CODE:M33-BASE
BASE PLATE
L308 W308 H060(mm)

M34

Medium Truss



Technical detail

Main pipe	50mm
Wall thickness	2mm
Brace	20*2mm
Material	6082-T6

Straight truss

(Any colors are available)



Code	Length	Weight
M34050	50cm	4.9kg
M34100	100cm	7.5kg
M34150	150cm	9.7kg
M34200	200cm	12.0kg
M34250	250cm	14.0kg
M34300	300cm	16.0kg
M34350	350cm	19.0kg
M34400	400cm	21.0kg
M34450	450cm	23.6kg
M34500	500cm	25.9kg

Curve truss

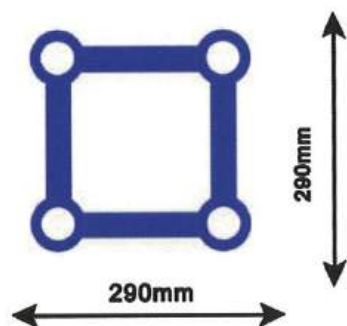
(Any colors are available)



Code	Diameter	Part/Set
M34R10-180	2.0m	2Part/Set
M34R15-90	3.0m	4Part/Set
M34R20-90	4.0m	4Part/Set
M34R25-45	5.0m	8Part/Set
M34R30-60	6.0m	6Part/Set
M34R35-45	7.0m	8Part/Set
M34R40-45	8.0m	8Part/Set
M34R45-45	9.0m	8Part/Set
M34R50-30	10.0m	12Part/Set

M34P

Medium Truss



Technical detail

Main pipe	50mm
Wall thickness	3mm
Brace	20*2mm
Material	6082-T6

Straight truss

(Any colors are available)



Code	Length	Weight
M34P050	50cm	6.0kg
M34P100	100cm	9.0kg
M34P150	150cm	12.0kg
M34P200	200cm	16.0kg
M34P250	250cm	19.0kg
M34P300	300cm	20.0kg
M34P350	350cm	23.0kg
M34P400	400cm	25.0kg
M34P450	450cm	28.0kg
M34P500	500cm	31.0kg

Curve truss

(Any colors are available)



Code	Diameter	Part/Set
M34PR10-180P	2.0m	2Part/Set
M34PR15-90P	3.0m	4Part/Set
M34PR20-90P	4.0m	4Part/Set
M34PR25-45P	5.0m	8Part/Set
M34PR30-60P	6.0m	6Part/Set
M34PR35-45P	7.0m	8Part/Set
M34PR40-45P	8.0m	8Part/Set
M34PR45-45P	9.0m	8Part/Set
M34PR50-30P	10.0m	12Part/Set



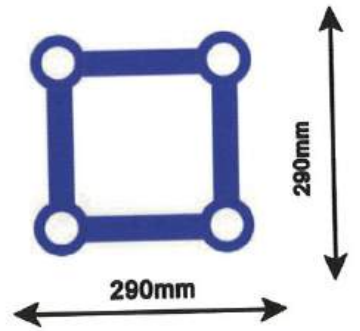
Corner Truss



CODE: M34P-2W-45
2WAY 45 degree
L290 W1000 H1000(mm)



CODE: M34P-2W-60
2WAY 60 degree
L290 W1000 H1000(mm)



CODE: M34P-2W-90
2WAY 90 degree
L290 W500 H500(mm)



CODE: M34P-3W-T30
3WAY T30
L050 W500 H500(mm)



CODE: M34P-3W-T
3WAY T
L290 W500 H500(mm)



CODE: M34P-4W-T
4WAY T
L500 W050 H500(mm)



CODE: M34P-CROSS
4WAY CROSS
L290 W500 H500(mm)



CODE: M34P-5W-C55
5WAY C55
L500 W500 H500(mm)



CODE: M34P-6W-C61
6WAY C61
L500 W500 H500(mm)



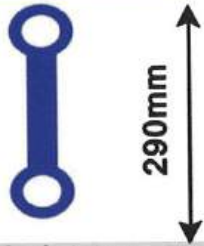
CODE: M34P BOX
BOX CORNER M12 BOLT
L290 W290 H290(mm)



CODE: M34P BASE
BASE PLATE
L308 W308 H060(mm)

H43

Heavy Duty Truss



Straight truss

Technical detail

Main pipe	50 mm
Wall thickness	2 mm
Brace	25*3 mm
Material	6082-T6

(Any colors are available)



Code	Length	Weight
H43050	50cm	4.5kg
H43100	100cm	7.5kg
H43150	150cm	9.7kg
H43200	200cm	12.0kg
H43250	250cm	14.0kg
H43300	300cm	16.0kg
H43350	150cm	19.0kg
H43400	200cm	21.0kg
H43450	250cm	23.6kg
H43500	300cm	25.9kg

Curve truss

(Any colors are available)

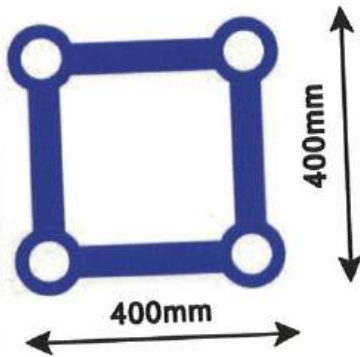


Code	Diameter	Part/Set
H43R10-180	2.0m	2Part/Set
H43R15-90	3.0m	4Part/Set
H43R20-90	4.0m	4Part/Set
H43R25-45	5.0m	8Part/Set
H43R30-45	6.0m	8Part/Set
H43R35-45	7.0m	8Part/Set
H43R40-45	8.0m	8Part/Set
H43R45-45	9.0m	8Part/Set
H43R45-30	10.0m	12Part/Set

H44

Heavy Duty Truss

Technical detail



Main pipe	50 mm
Wall thickness	2 mm
Brace	25*3 mm
Material	6082-T6

Straight truss

(Any colors are available)



Code	Length	Weight
H44050	50cm	5.5kg
H44100	100cm	8.4kg
H44150	150cm	10.9kg
H44200	200cm	13.4kg
H44250	250cm	15.7kg
H44300	300cm	17.9kg
H44350	350cm	21.3kg
H44400	400cm	23.5kg
H44450	450cm	26.4kg
H44500	500cm	29.0kg

Curve truss

(Any colors are available)



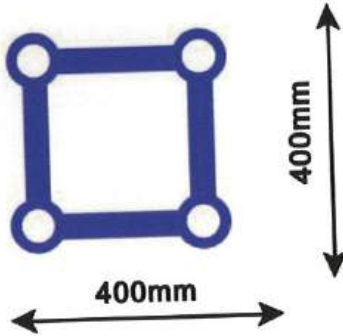
Code	Diameter	Part/Set
H44R10-180	2.0m	2Part/Set
H44R15-90	3.0m	4Part/Set
H44R20-90	4.0m	4Part/Set
H44R25-45	5.0m	8Part/Set
H44R30-45	6.0m	8Part/Set
H44R35-45	7.0m	8Part/Set
H44R40-45	8.0m	8Part/Set
H44R45-45	9.0m	8Part/Set
H44R50-30	10.0m	12Part/Set



ALUSTRUCTURE

H44P

Heavy Duty Truss



Technical detail

Main pipe	50 mm
Wall thickness	3 mm
Brace	25*3 mm
Material	6082-T6

Straight truss

(Any colors are available)



Code	Length	Weight
H44P050	50cm	6.5kg
H44P100	100cm	9.5kg
H44P150	150cm	12.4kg
H44P200	200cm	15.8kg
H44P250	250cm	18.6kg
H44P300	300cm	21.7kg
H44P350	350cm	24.6kg
H44P400	400cm	27.6kg
H44P450	450cm	30.5kg
H44P500	500cm	33.9kg

Curve truss

(Any colors are available)



Code	Diameter	Part/Set
H44PR10-180P	2.0m	2Part/Set
H44PR15-90P	3.0m	4Part/Set
H44PR20-90P	4.0m	4Part/Set
H44PR25-45P	5.0m	8Part/Set
H44PR30-45P	6.0m	8Part/Set
H44PR35-45P	7.0m	8Part/Set
H44PR40-45P	8.0m	8Part/Set
H44PR45-45P	9.0m	8Part/Set
H44PR45-30P	10.0m	12Part/Set



ALUSTRUCTURE

Corner Truss



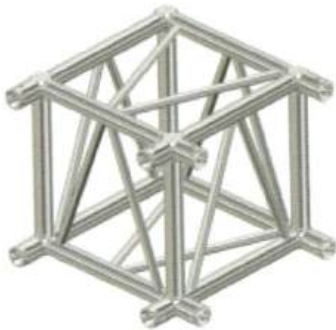
CODE: H54-2W-90
2WAY 90 degree



CODE: H54-3W-T
3WAY 90 degree



CODE: H54-4W-
CROSS
4WAY CROSS



CODE: H54 BOX
BOX CORNER M16 BOLT



CODE: GS-H54-TOP
H44/H44P Top section for
electrical chain hoist, hand
chain hoist



CODE: GS-H54-SLEEVE
Span:M34/M34P/H44/H44P/H54
Pillar:H44/H44P



STEEL BASE

CODE:H44 BASE
Steel Base for M34/M34P/H44/H44P Truss

CODE:H44 Ballast
Steel Ballast Outrigger

CODE:H44 1.5M Outrigger
Steel Corner Brace 1.5M

CODE:H44 Assist Leg
Steel Assist Leg 0.75M

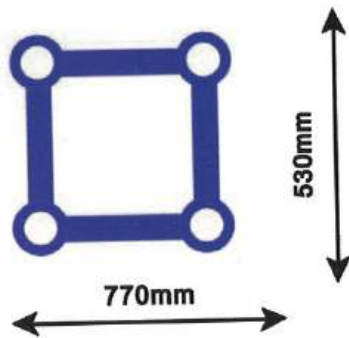
H44 Assist Leg



ALUSTRUCTURE

H7652

Heavy Duty Truss

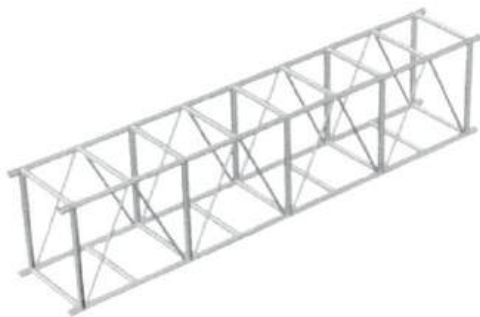


Technical detail

Main pipe	50 mm
Wall thickness	4 mm
Brace	25*3 mm 50*3 mm
Material	6082-T6

Straight truss

(Any colors are available)



Code	Length	Weight
H7652100	100cm	T=4.0mm
H7652200	200cm	T=4.0mm
H7652300	300cm	T=4.0mm
H7652400	400cm	T=4.0mm
H7652500	500cm	T=4.0mm



90° 2WAY CODE H7652-2W-90
L760 W760 H760(mm)

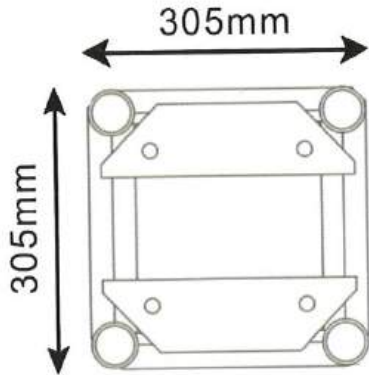


3WAY "T" CODE H7652-T-90
L760 W760 H1000(mm)



ALUSTRUCTURE

305X305mm Bolt truss



Technical detail

Main pipe	50.8 mm
Wall thickness	3.18 mm
Brace	25.4*3.0 mm
Material	6082-T6

Straight truss

(Any colors are available)



Length in Meter	Length in Feet
50cm	2FT
100cm	3FT
150cm	4FT
200cm	5FT
250cm	6FT
300cm	7FT
	8FT
	9FT
	10FT





ALUSTRUCTURE

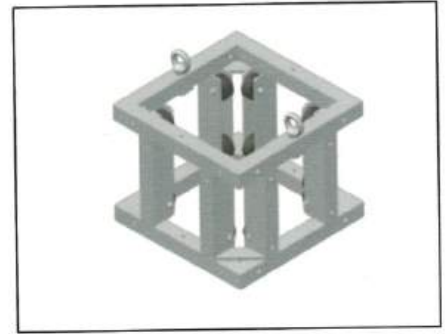
M34 Tower System



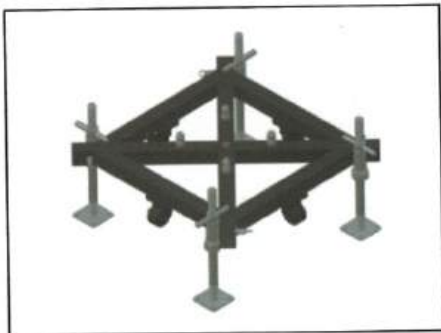
M34-TOP



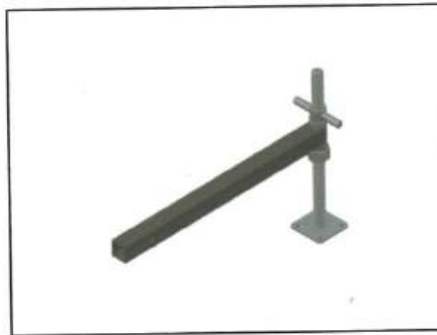
M34-Sleeve



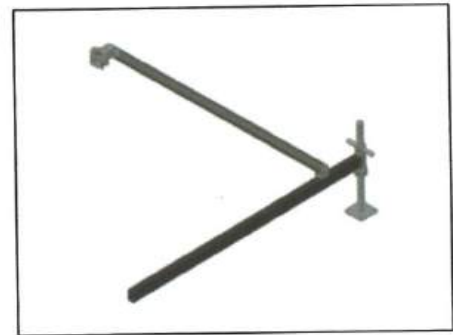
M34-Sleeve-E



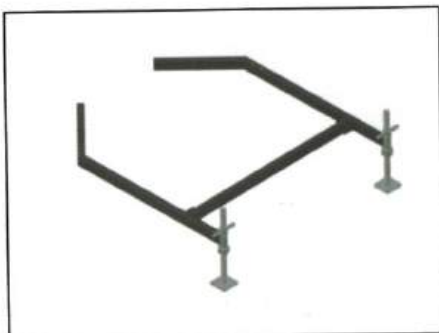
M34-BASE



TL-0.75m



TL-1.5m



TL-BALLAST



TS-HINGE



M34-HING



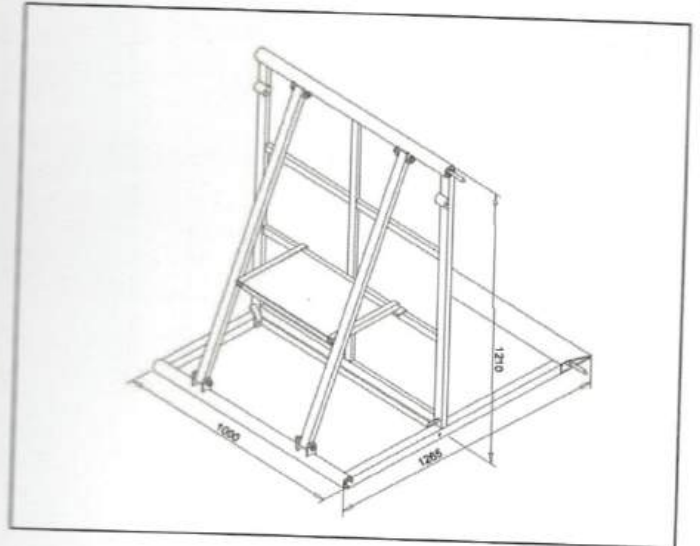
Stage



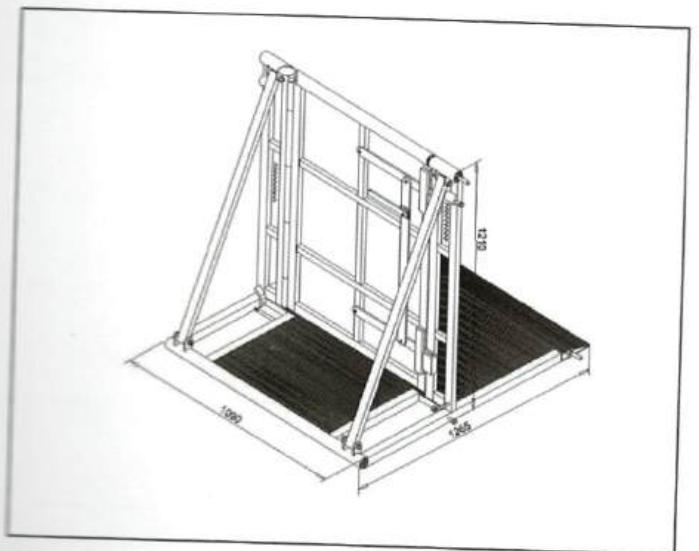
STAIR FOR STAGE

ASSEMBLE STAGE	
DECK TOP	Wooden, Glass and Acrylic
Size	1.2 X 2.44 1.2 X 1.2M
Height	0.6M, 0.8M, 1.0M, 1.2M adjustable
Load	500kgs/Square meter
Customize shape and size available	

Stage Barrier



Base Barrier



Door Barrier





Stage



STAIR FOR STAGE

ASSEMBLE STAGE	
DECK TOP	Wooden, Glass and Acrylic
Size	1.2 X 2.44 1.2 X 1.2M
Height	0.6M, 0.8M, 1.0M, 1.2M adjustable
Load	500kgs/Square meter
Customize shape and size available	